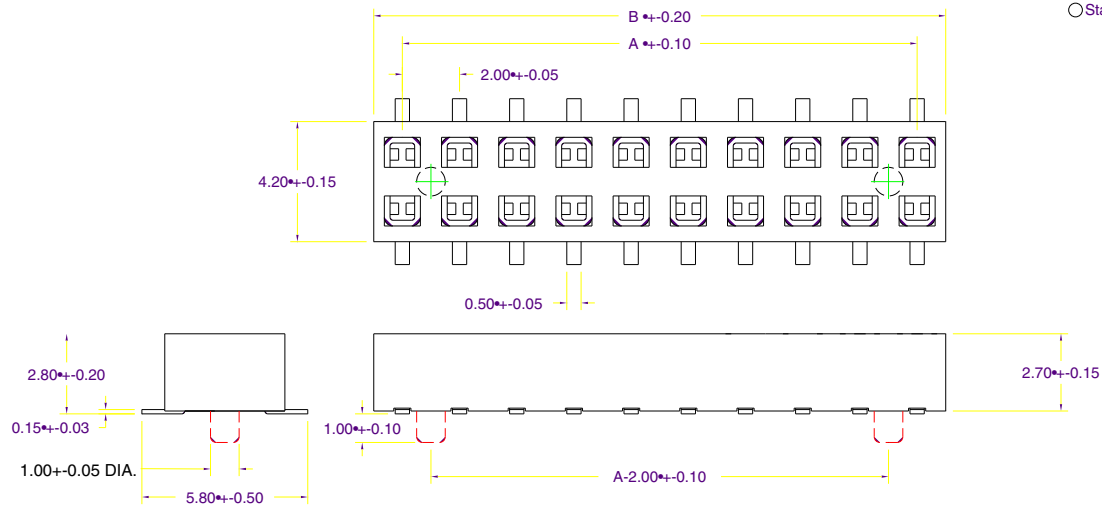


A B C D E WI-0901

No. of Contacts	DIMENSIONS	
	A	B
10	8.00	10.00
12	10.00	12.00
14	12.00	14.00
16	14.00	16.00
18	16.00	18.00
20	18.00	20.00
22	20.00	22.00
24	22.00	24.00
26	24.00	26.00
28	26.00	28.00
30	28.00	30.00
32	30.00	32.00
34	32.00	34.00
36	34.00	36.00
38	36.00	38.00
40	38.00	40.00
42	40.00	42.00
44	42.00	44.00
46	44.00	46.00
48	46.00	48.00
50	48.00	50.00
52	50.00	52.00
54	52.00	54.00
56	54.00	56.00
58	56.00	58.00
60	58.00	60.00

SPECIFICATIONS

Current Rating: 1 Amp
 Insulator Resistance: 5000 Mega Ohms min.
 Contact Resistance: 20 milli Ohms Max.
 Dielectric Withstanding: 500 VAC
 Operating Temperature: -40 Degrees C. to +105 Degrees C.
 Max Processing Temp: 230 Degrees C. for 30-60 seconds
 (260 Degrees C. for 10 seconds)
 Contact Material: Phosphor Bronze.
 Insulator Material: Polyester, UL 94V-0
 ○Standard: Nylon 6T



SULLINS 801 E. Mission Rd. San Marcos, CA 92069	GENERAL TOLERANCE		SCALE 5:1	DRAWN	DATE	DWG. NO. T0014	TITLE	REV.
	XX. +/-	XXX. +/-	UNIT MM	CHECK	DATE	PARTS NO. PPPNxx2GHNP		SHEET
	X. +/- 0.20	.XXX +/-	SIZE A4	APPROVE	DATE			
	.X +/- 0.10							
.XX +/- 0.05								

A B C D E FM-0524